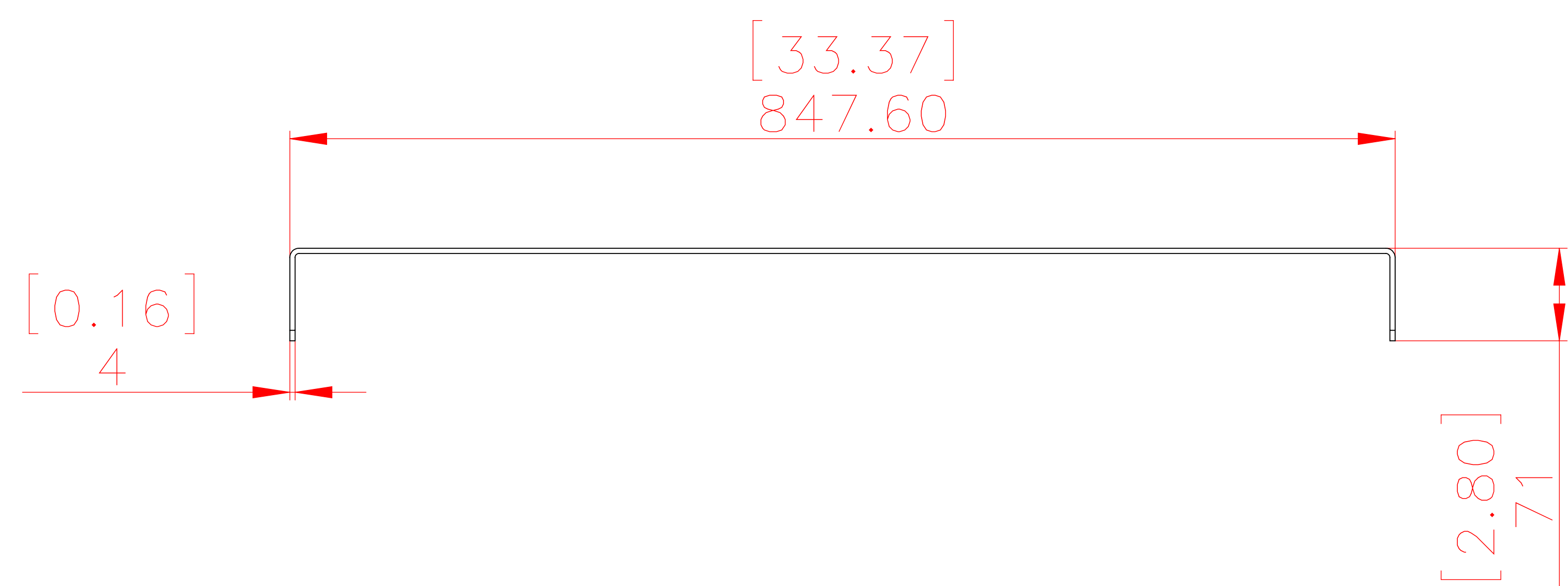
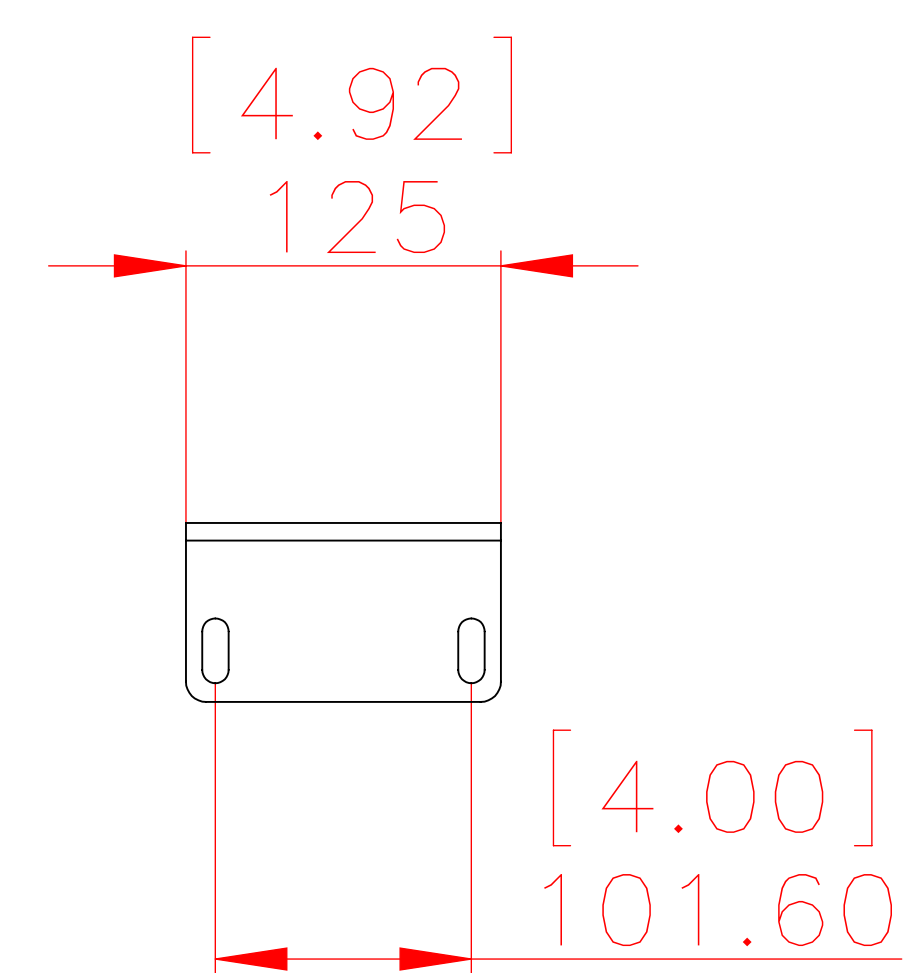


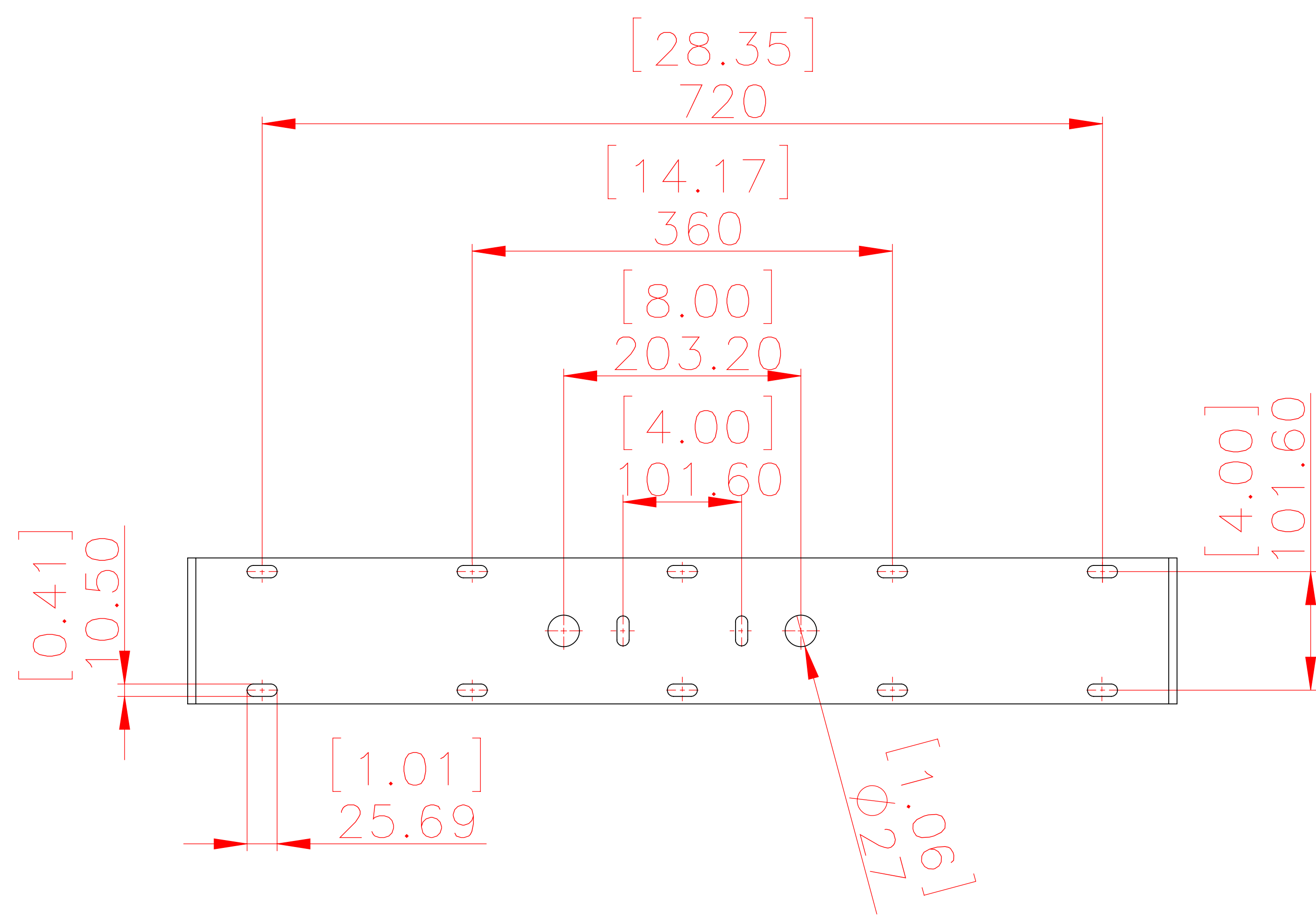
FRONT



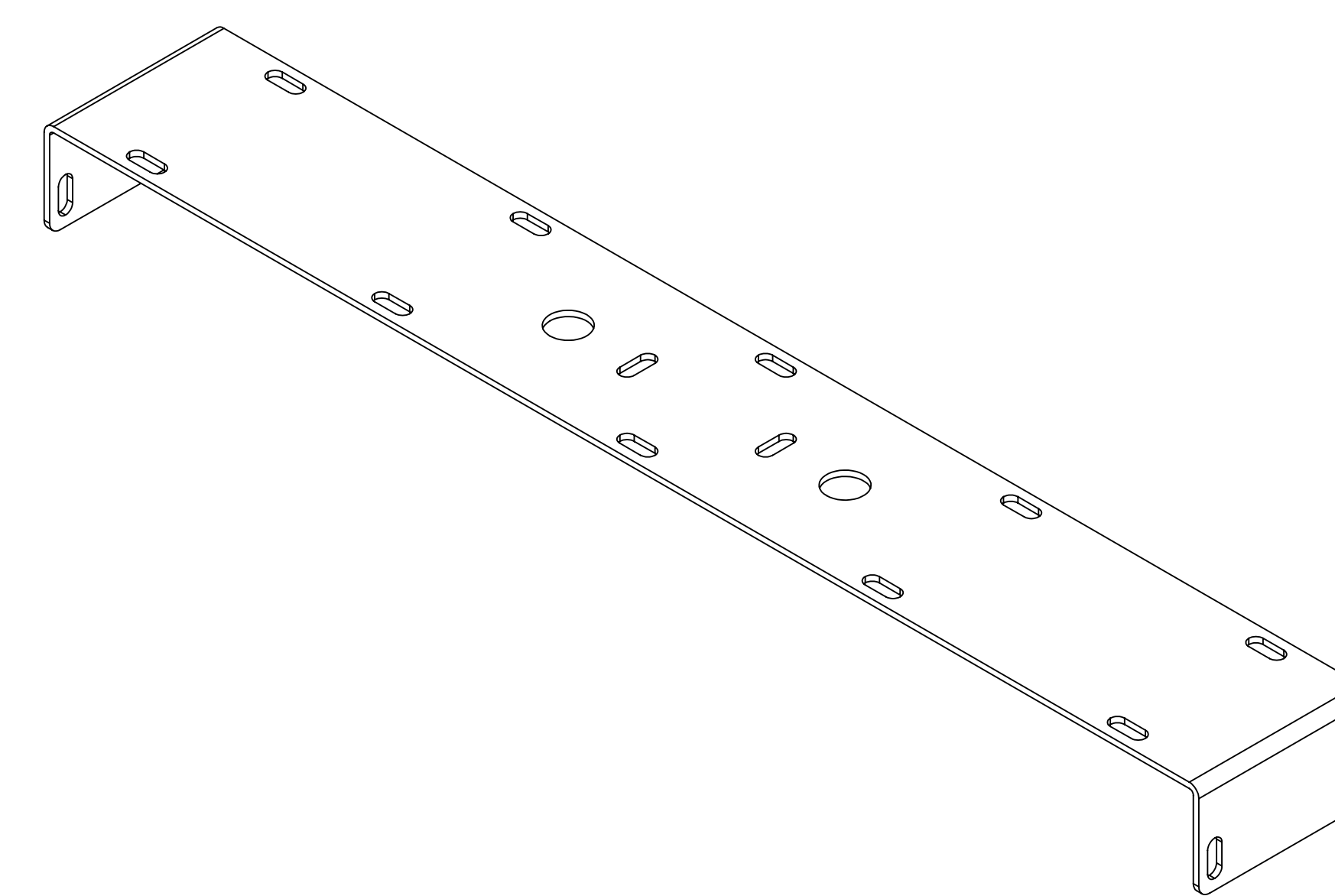
LEFT



TOP



ISOMETRIC



SONANCE

991 Calle Amanecer, San Clemente,
 CA, 92673
 58800 2-7777 949 492-7777
 FAX 949 361-5579
 www.sonance.com

PS-S210SUBT BRACKET

SCALE: 1 : 3

DRAWN BY:

DRWN - PART NUMBER

REV.

SHEET: 01

RELEASED (IN):