

SONANCE ARCHITECTURAL SERIES
B6 GYPSUM PANEL BRACKET
FOR 6" RECTANGULAR SPEAKERS

Sonance Architectural Series®

5/8" and 1/2" Gypsum Panel Brackets

Sonance Architectural Series speakers are the world's first trimless and truly flush-mount speakers — perfectly aligning the plane of the grille with the plane of the wall or ceiling.

The Architectural Series Gypsum Panel Bracket is a versatile installation solution for installing Sonance Architectural Series speakers in standard stud/drywall construction. The Gypsum Panel Bracket can be used in both new construction and retrofit applications.

When installed during new construction, the Gypsum Panel Bracket attaches directly to wall or ceiling studs or joists, reserving a location for the Architectural Series speaker. Drywall and paint tradespeople then treat the Gypsum Panel Bracket as if it were standard drywall, mudding, finishing and painting it so that it becomes a part of the wall or ceiling surface, leaving only the speaker mounting hole. This allows truly flush-mount and trimless final installation of the Sonance Architectural Series speaker.

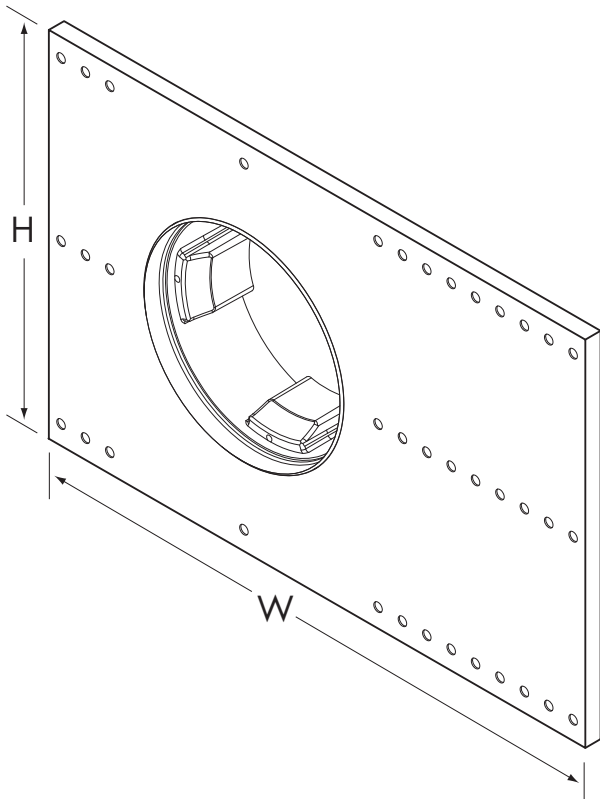
Features:

- Enables Sonance Architectural Series speaker installation in standard stud/drywall construction.
- Can be used in both new construction and retrofit installations.
- When installed in new construction, the Gypsum Panel Bracket is easy to align with other fixtures in the wall or ceiling, and it reserves a location for the Architectural Series speaker during construction.
- After installation, the Gypsum Panel Bracket becomes part of the wall or ceiling surface, allowing truly flush-mount and trimless final installation of the Sonance Architectural Series speaker.
- Available in two thicknesses, for use in 5/8" and 1/2" drywall construction.
- Available for all three Architectural Series speaker sizes: large (8"), medium (6"), small (4") and all three Architectural Series speaker shapes: rectangular, round, and square.
- Integral bubble levels on all square and rectangle Gypsum Panel Bracket paint shields help achieve proper alignment during installation.
- Limited Fifteen-Year Warranty when installed by a certified Sonance Architectural Series installer — see Sonance Architectural Series Owner's Manual for full warranty information.



Sonance Architectural Series

5/8" and 1/2" Gypsum Panel Brackets



Dimensions:

Large (8") Speakers

BRACKET	H	W
Rectangle (B8)	20 1/2" (520.7mm)	21" (533.4mm)
Round (B8R)	20 1/2" (520.7mm)	21" (533.4mm)
Square (B8S)	20 1/2" (520.7mm)	21" (533.4mm)

Medium (6") Speakers

BRACKET	H	W
Rectangle (B6)	20 1/2" (520.7mm)	21" (533.4mm)
Round (B6R)	14 1/2" (368.3mm)	22" (558.8mm)
Square (B6S)	14 1/2" (368.3mm)	22" (558.8mm)

Small (4") Speakers

BRACKET	H	W
Rectangle (B4)	14 1/2" (368.3mm)	22" (558.8mm)
Round (B4R)	14 1/2" (368.3mm)	22" (558.8mm)
Square (B4S)	14 1/2" (368.3mm)	22" (558.8mm)

NOTE:

GPBs for 5/8" drywall carry the suffix 5/8" (i.e. B8R 5/8")
 GPBs for 1/2" drywall carry the suffix 1/2" (i.e. B8R 1/2")

SONANCE®

212 Avenida Fabricante
 San Clemente, CA 92672-7531 USA
 (800) 582-7777 or (949) 492-7777
 FAX: (949) 361-5151
 Technical Support: (800) 582-0772
 WWW.SONANCE.COM

©2008 Sonance, All Rights Reserved.

Sonance and Sonance Architectural Series are registered trademarks of Dana Innovations.

Due to continuous product improvement, all features and specifications are subject to change without notice.

For the latest Sonance product information, go to:

www.sonance.com